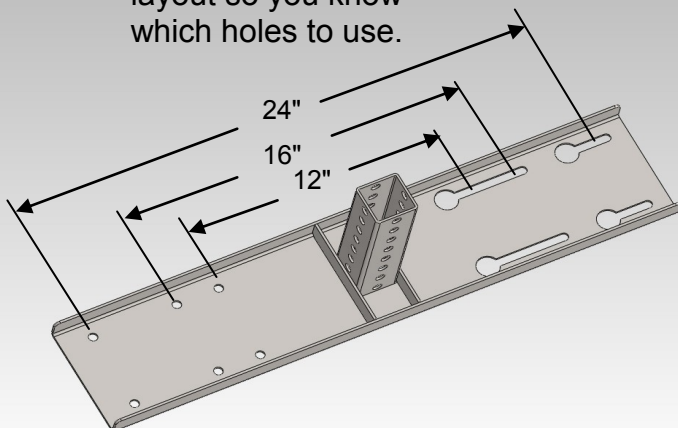


Vroom Garage Mounting Bracket Installation

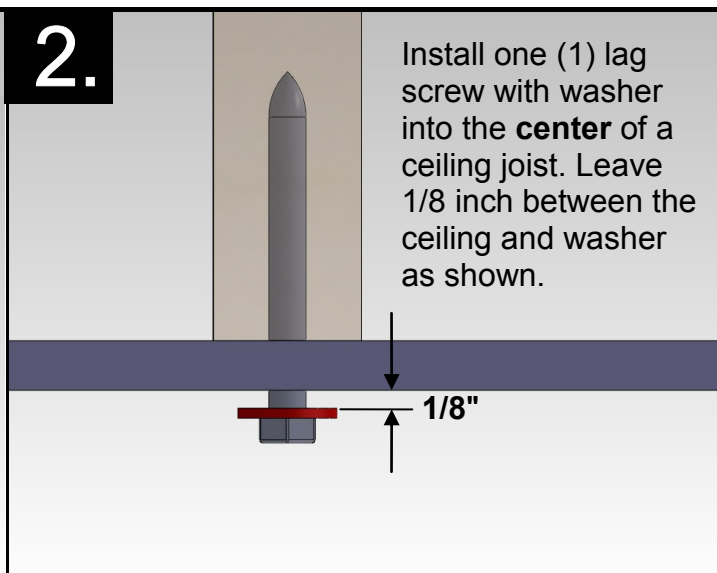
1.

Review the hole pattern layout so you know which holes to use.

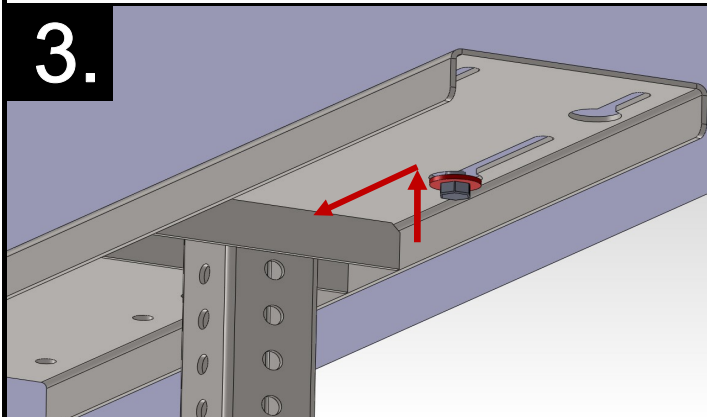


2.

Install one (1) lag screw with washer into the **center** of a ceiling joist. Leave 1/8 inch between the ceiling and washer as shown.



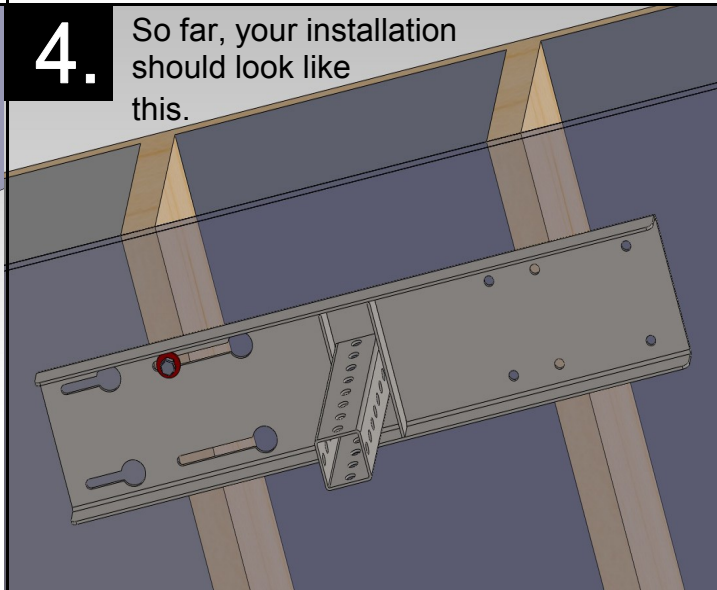
3.



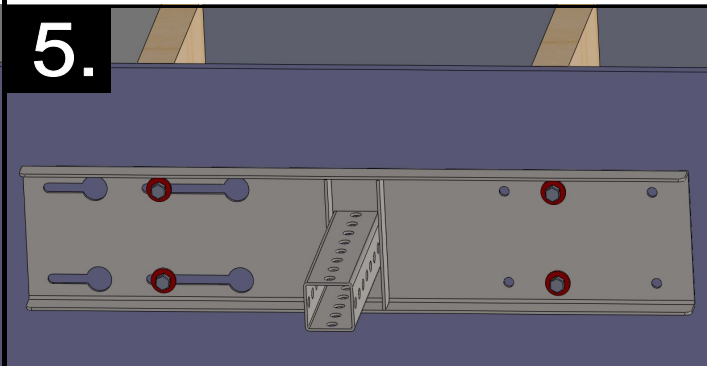
Place the ceiling bracket over the washer. Then slide the bracket as shown. This will hold the bracket in place while you install the other lags. Be sure to use washers on each lag screw.

4.

So far, your installation should look like this.



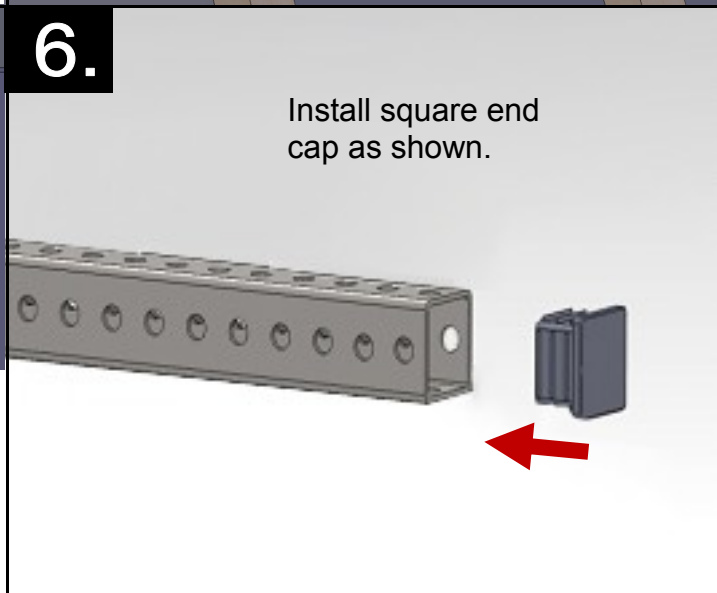
5.



Install the other 3 lag screws with washers, ensuring they are threaded securely into the **center** of the joists. Finish tightening the first lag screw. Your bracket installation should be very solid.

6.

Install square end cap as shown.

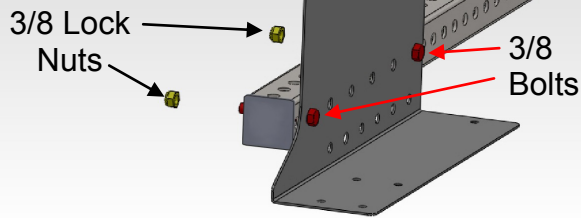


Vroom Garage Mounting Bracket Installation

CONTINUED

7.

Attach the garage bracket to the square post as shown.

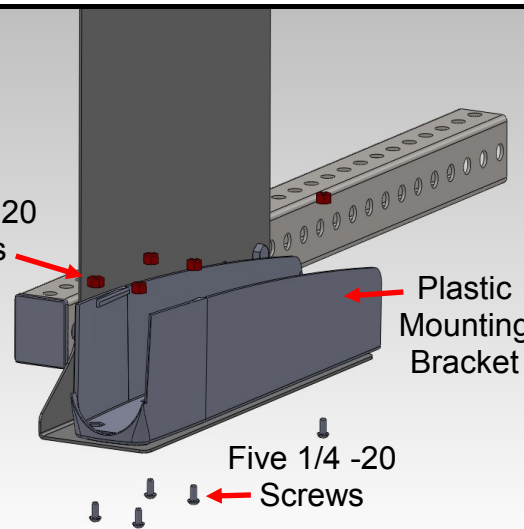


8.

Five 1/4 - 20 Steel Nuts

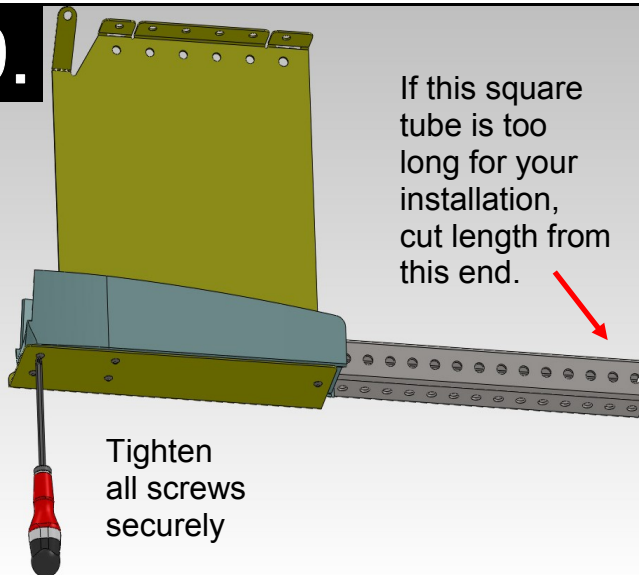
Plastic Mounting Bracket

Five 1/4 - 20 Screws



9.

If this square tube is too long for your installation, cut length from this end.

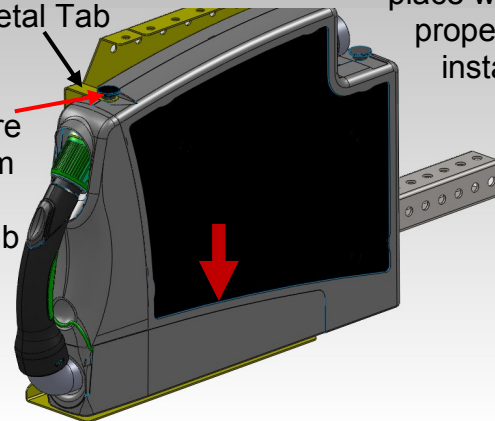


10.

Install the Vroom into the mounting bracket as shown. It will snap securely into place when properly installed.

Bend this Metal Tab

Secure Vroom with Thumb Knob



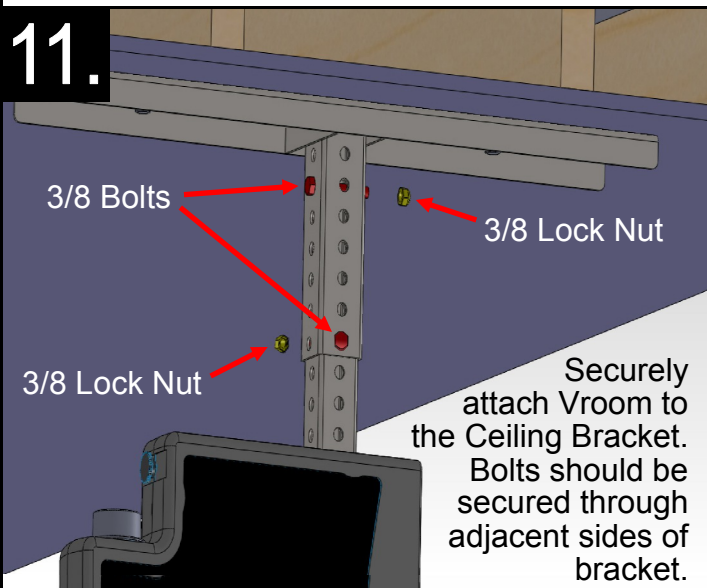
11.

3/8 Bolts

3/8 Lock Nut

3/8 Lock Nut

Securely attach Vroom to the Ceiling Bracket. Bolts should be secured through adjacent sides of bracket.



12.

To clear tall vehicles, the bottom of the handle should be 80" above the floor.

Plumb and wire to complete the installation.

